

# Smart SV-04 Selector Valve



- Runze patented product, sapphire valve rotor and stator, which resist to corrosion, high-pressure, high-temperature and high wear resistance, biocompatible and suitable for a variety of special media
- Much smaller size, beneficial to miniaturization of instruments and equipment
- Support various communication: RS232/RS485/CAN bus
- High efficiency and maintenance-free
- Widely used in environmental analyzers, medical analysis equipment and other high-precision analysis instruments

**QHF-SV04 - X - S - T10 - K1.2 - S**

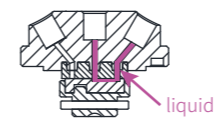
Model No. Valve type Small low voltage Configuration Orifice 1.2mm Sapphire

T6	6-port
T8	8-port
T10	10-port

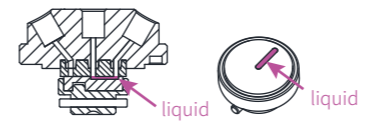
## Technical Parameter

Configuration	6/8/10 port
Flow Passage Diameters	1.2mm
Wetted material	PCTFE valve head, Sapphire rotor/stator
Dead volume	Port to port volume 27.5μl Rotor Slot Volume 5.4μl
Pressure rating	0-0.3Mpa (air) / 0-0.6Mpa (water)
Origin detection	Auto reset to initial position when powered on (this function can be opened or closed)
Liquid temperature	0-150°C
Connection	1/4-28UNF
Replaceable parts	Stator replaceable, sealed rotor irreplaceable
Transposition	Random start to any specific port
Driver	Non-optional
Valve drive	≤4s/circle
Max. torque	4N/m
Communication	RS232/RS485/CAN
Baud rate	RS232/RS485: 9600bps, 19200bps, 38400bps, 57600bps, 115200bps CAN: 100Kbps, 200Kbps, 500Kbps, 1Mbps
Address & Parameter setting	Via communication
Power supply	DC24V/1A
Power	22W
Operating temperature	0°C-50°C
Operating humidity	<80% relative humidity, non-condensing
Dimension (L*W*H)	63.7*50.4*115.2mm
Net weight	0.437kg

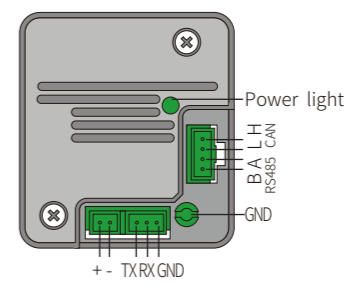
### Port-to-Port Volume



### Rotor Slot Volume

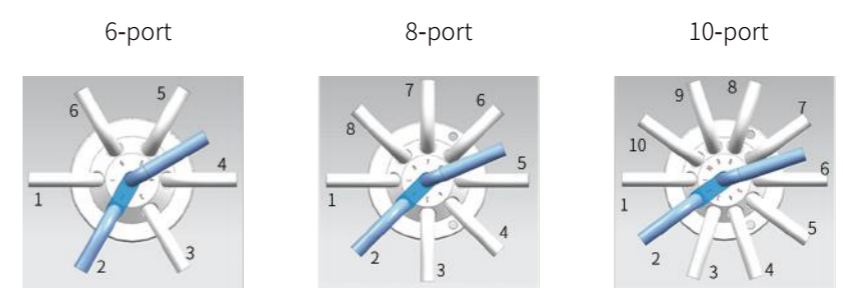


### Driver Port



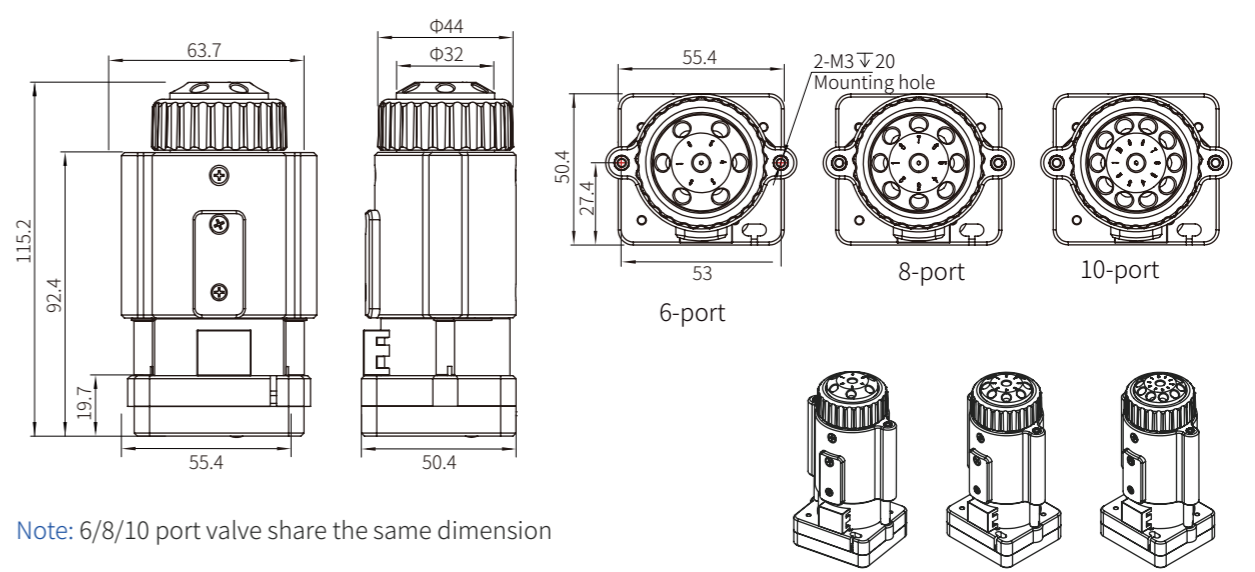
Port	Description
+	DC24V Positive
-	DC24V Negative
TX	RS232 Data Input
RX	RS232 Data Output
GND	GND
H	CAN H
L	CAN L
A	RS485 A
B	RS485 B

### Flow Path



1. Center port is public port, valve switch to specific port by programming control
2. Wetted material - PCTFE valve head and sapphire valve rotor and stator, non-metal, anti corrosive anti high temperature, wear resistance
3. Flow configuration - 6/8/10 port and 1.2mm orifice to meet different applications
4. Reset position - SV-04 valve reset by CCW (non-changeable), rotor stay between port 1 and maximum port, public port disconnected with any port when valve at reset position
5. OEM service - RUNZE support special flow path design and customize

### Dimension (unit: mm)



Note: 6/8/10 port valve share the same dimension