



RZ-02

42 Stepper Motor Peristaltic Pump

- ◆ PPS rollers, excellent structural performance
- ◆ 6 rollers: low pulsation, steady outflow / 3 rollers: large flow rate
- ◆ Housing material PPS+ synthetic fibre, high temperature and corrosion resistant
- ◆ Spring mounting clips for easy disassembly and installation of the pump tube
- ◆ Imported 42 stepper motor for low noise, high stability, long service life, and accuracy
- ◆ Mainly used for medical instruments and various small flow liquid transfer analysis instruments

RZ-02 - ① **1.6** - ② **6** - ③ **L**

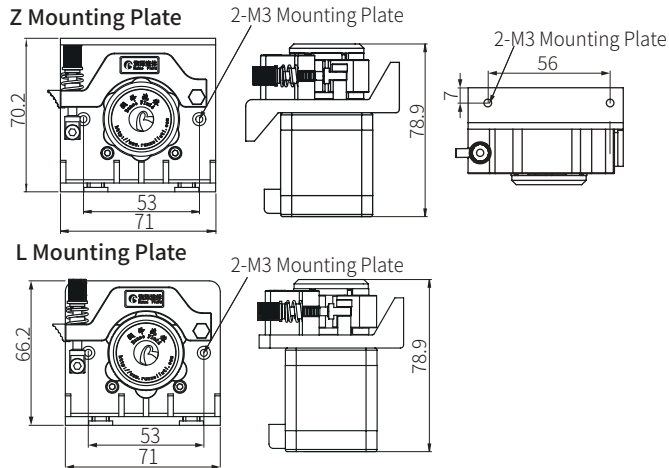
Model No. Rubber Tube WT Rollers Mounting Plate

①	0.8 Tube WT: 0.8mm	②	3 3 Rollers	③	L L Mounting Plate
	1.6 Tube WT: 1.6mm		6 6 Rollers		Z Z Mounting Plate

Installation Steps of Pump Hose



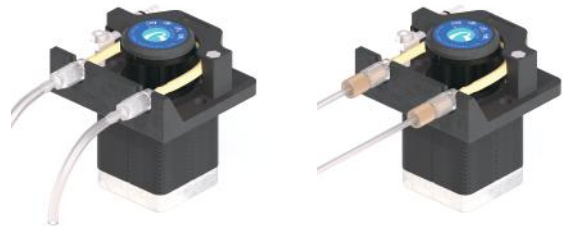
Dimension (unit: mm)



Tubing

hose connection:
Barb-to-Female Adapters
+Barb-to-Male Adapters

rigid tube connection:
Barb-to-Female Adapters
+Flangeless Fittings



Technical Parameters

Model No.	Motor Type	Motor Type	Speed	Net Weight	Working Environment	Max.DB
RZ-02	42 step motor	1.1A	≤400rpm	472g	Temp. 0~40°C Humidity <80%	70dB

Note 1: Please refer to page P39[42 stepper motor parameters] and [motor wire phase table] for detailed motor parameters

Note 2: Motor wire & color: A+/Orange; A-/Blue; B+/Red; B-/Yellow

Max.Flow Rate Table

	WT(mm)	0.8														1.6			
	ID (mm)	0.64	0.76	0.89	1.02	1.14	1.30	1.42	1.52	1.65	1.85	2.06	2.29	2.54	2.79	0.8	1.6	2.4	3.2
3 rollers	ml/min	16	18	27	30	37	47	59	64	71	94	104	126	153	161	23	57	112	236
6 rollers	ml/min	13	16	21	26	31	39	45	48	55	61	82	86	105	114	19	51	105	183

Note: Test under room temperature 20°C and no external pressure (water), flow rate may vary from different media, condition, pressure, humidity, temperature etc.