

SV-07B Injector Valve

定量阀



- Support a variety of flow path collocation by back and forth switching of two positions which meets the needs of different customers
- RUNZE patented Sapphire valve rotor and stator, anti-corrosion and high-pressure, high-temperature resistance, high wear resistance, biocompatible and suitable for a variety of special media.
- High efficiency and maintenance-free stepper motor drive system via RS232/RS485/CAN
- Widely used in a variety of analysis equipment such as environmental analysis instruments, medical analysis instruments, non-standard sampling facilities in high-precision, etc.

QHF-SV07B - X - T6 - K1.2 - S

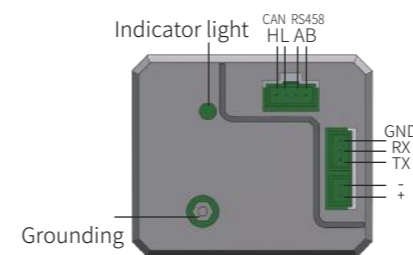
Model No. Valve type Configuration Orifice Sapphire

T6	6 port
T8	8 port
T10	10 port

Technical Parameter

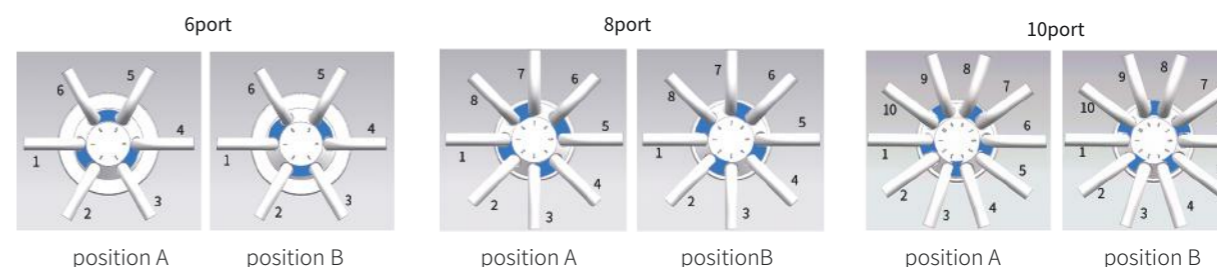
Configuration	6/8/10 port
Orifice	1.2mm
Wetted material	PCTFE valve head, Sapphire rotor/stator UPE, Sapphire rotor/stator
Dead Volume	Port-to-Port 27.5ul Dead Volume 5.41ul
Pressure rating	0-1.0Mpa(air)/0-1.6Mpa(water)
Origin detection	Automatically detect the initial position after power on (this function can be opened or closed)
Liquid temperature	0-150°C
Connection	1/4-28UNF
Replaceable parts	Stator replaceable, sealed rotor irreplaceable
Transposition	Random start to any specific port
Driver	Non-optional
Valve drive	500ms (current)
Max. Torque	3N/m
Sub. Torque	0.36N/m
Baud rate	RS232/RS485: 9600bps / 19200bps / 38400bps / 57600bps / 115200bps CAN: 100Kbps/200Kbps/500Kbps/1Mbps
Address & Parameter setting	Via Communication
Power supply	DC24V/2A
Max. power	36W
Operating temperature	-10°C to 50°C
Operating humidity	<80% relative humidity, non-condensing
Dimension (L*W*H)	60*51*145.8mm
Net Weight	0.73KG

Driver Port

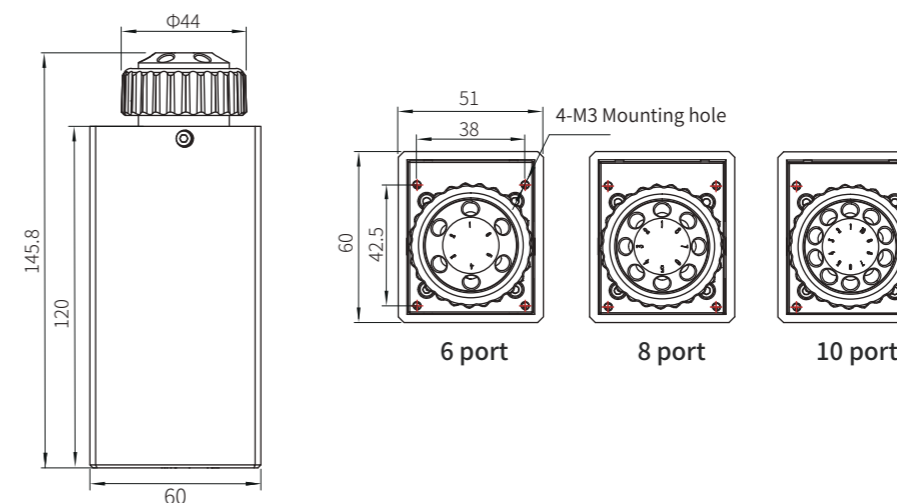


Port	Description	Port	Description
+	DC24V Positive	H	CANH
-	DC24V Negative	L	CANL
TX	RS232 Data Input	A	RS485 A
RX	RS232 Data Output	B	RS485 B
GND	GND		

Flow Configuration



Dimension (Unit: mm)



Note: 6/8/10 port valve shares the same dimension

Smart SV-04B Injector Valve

定量阀



- Back and forth switching of two positions
- RUNZE patented Sapphire valve rotor and stator, biocompatible, wear-resistance, anti-corrosion & high temperature, long service life
- Small footprint suits limited spaces
- Available with 6, 8, 10 ports and 1.2mm orifice
- High efficiency and maintenance-free stepper motor drive system via RS232/RS485/CAN
- Low pressure injectors are available with fittings for tubing OD1.6/2.0/2.5/3.0/3.175/3.2mm

QHF-SV04B - X - T6 - K1.2 - S

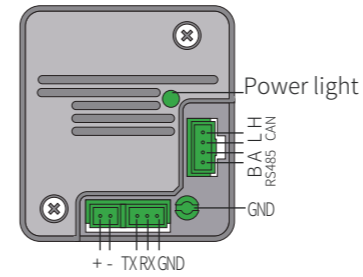
Model No. Valve type Configuration Orifice Sapphire

T6	6 port
T8	8 port
T10	10 port

Technical Parameter

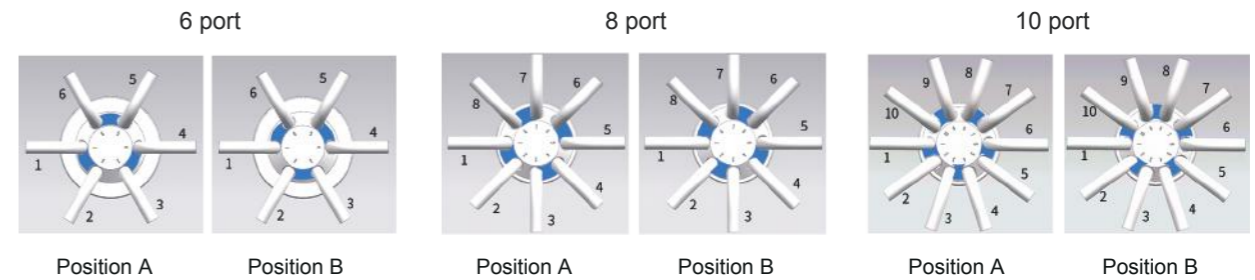
Configuration	6/8/10 port
Orifice	1.2mm
Wetted material	PCTFE valve head, Sapphire rotor/stator
Dead volume	Port-to-port volume 27.5ul Dead volume 5.4ul
Pressure rating	0-0.5Mpa (air) / 0-0.6Mpa (water)
Origin detection	Auto reset to initial position when powered on (this function can be opened or closed)
Liquid temperature	0-150℃
Connection	1/4-28UNF
Replaceable parts	Stator replaceable, sealed rotor irreplaceable
Transposition	Random start to any specific port
Driver	Non-optional
Valve drive	≤400ms
Max. torque	1.6N/m
Sub.torque	0.36N/m
Baud rate	RS232/RS485: 9600bps / 19200bps / 38400bps / 57600bps / 115200bps CAN: 100Kbps, 200Kbps, 500Kbps, 1Mbps
Address & Parameter setting	Via communication
Power supply	DC24V/1A
Max. power	15W
Operating temperature	0℃-50℃
Operating humidity	<80% relative humidity, non-condensing
Dimension (L*W*H)	63.7*50.4*115.2mm
Net weight	0.437kg

Driver Port



Port	Description	Port	Description
+	DC24V positive	H	CANH
-	DC24V negative	L	CANL
TX	RS232 TX	A	RS485 A
RX	RS232 RX	B	RS485 B
GND	GND		

Flow Configuration



Dimension (unit: mm)

